



National Standards Commission

12 Lyonpark Road, North Ryde NSW

Cancellation Certificate of Approval No 8/54

This is to certify that the approval for use for trade granted in respect of the

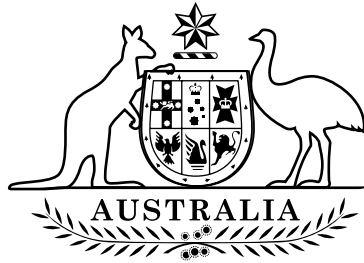
JAPY Model CFC 520 Milk Tank

submitted by Westfalia Landtechnik Australia Pty Ltd
4 Saligna Drive
Tullamarine VIC 3043

has been cancelled in respect of new instruments as from 1 March 2001.

Instruments which were verified/certified before that date may, with the concurrence of the relevant verifying authority, be submitted for reverification.

Signed by a person authorised under Regulation 60 of the National Measurement Regulations 1999 to exercise the powers and functions of the Commission under this Regulation.



National Standards Commission

Certificate of Approval

No 8/54

Issued under Regulation 9
of the
National Measurement (Patterns of Measuring Instruments) Regulations

This is to certify that an approval for use for trade has been granted in respect of the

JAPY Model CFC 520 Milk Tank

submitted by Westfalia Landtechnik Australia Pty Ltd
4 Saligna Drive
Tullamarine VIC 3043.

NOTE: This Certificate relates to the suitability of the pattern of the instrument for use for trade only in respect of its metrological characteristics. This Certificate does not constitute or imply any guarantee of compliance by the manufacturer or any other person with any requirements regarding safety.

CONDITIONS OF APPROVAL

This approval becomes subject to review on 1 November 1998, and then every 5 years thereafter.

Instruments purporting to comply with this approval shall be marked NSC No 8/54 and only by persons authorised by the submitter.

It is the submitter's responsibility to ensure that all instruments marked with this approval number are constructed as described in the documentation lodged with the Commission and with the relevant Certificate of Approval and Technical Schedule. Failure to comply with this Condition may attract penalties under Section 19B of the National Measurement Act and may result in cancellation or withdrawal of the approval, in accordance with the Commission's Document 106.

The Commission reserves the right to examine any instrument or component of an instrument purporting to comply with this approval.

DESCRIPTIVE ADVICE

Pattern: approved 22 October 1993

- A JAPY model CFC 520 horizontal milk tank of 5200 L capacity incorporating a dipstick for the measurement of the volume.

Variants: approved 22 October 1993

1. In other capacities as listed in Table 1.

Technical Schedule No 8/54 describes the pattern and variant 1.

Variants: approved 21 May 1996

2. Certain models of the CFSTE series in capacities as listed in Table 2.

Technical Schedule No 8/54 Variation No 1 describes variant 2.

Variants: approved 11 February 1998

3. Certain models of the KRYOS series in capacities as listed in Table 3.

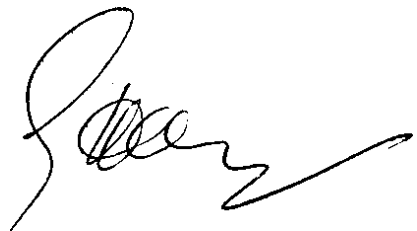
Technical Schedule No 8/54 Variation No 2 describes variant 3.

FILING ADVICE

Certificate of Approval No 8/54 dated 16 September 1996 is superseded by this Certificate, and may be destroyed. The documentation for this approval now comprises:

- Certificate of Approval No 8/54 dated 2 July 1998
- Technical Schedule No 8/54 dated 6 June 1994 (incl. Table 1 and Test Procedure)
- Technical Schedule No 8/54 Variation No 1 dated 16 September 1996 (incl. Table 2)
- Technical Schedule No 8/54 Variation No 2 dated 2 July 1998 (incl. Table 3)
- Figures 1 and 2 dated 6 June 1994

Signed and sealed by a person authorised under Regulation 9 of the National Measurement (Patterns of Measuring Instruments) Regulations to exercise the powers and functions of the Commission under this Regulation.

A handwritten signature in black ink, consisting of a large, stylized initial 'J' followed by a series of loops and a long horizontal stroke extending to the right.



National Standards Commission

TECHNICAL SCHEDULE No 8/54

Pattern: JAPY Model CFC 520 Milk Tank.

Submittor: Westfalia Separator Australia Pty Ltd
Unit 8, 67-75 Garden Drive
Tullamarine VIC 3043.

1. Description of Pattern

A JAPY model CFC 520 horizontal milk tank of 5200 L capacity (Figure 1 and Table 1) incorporating a dipstick for the measurement of the volume.

1.1 Details

- (i) The tank is a horizontal stainless steel cylinder sheathed in an outer casing of stainless steel; the cavity between is filled with insulating material.
- (ii) Levelling is effected by means of 6 adjustable legs with reference to the datum level marks permanently marked on the tank. The liquid level at the widest cross-section of the tank corresponds with the level mark engraved on the rear of the dipstick. Each leg has provision for fixing and sealing the leg to the floor, after levelling.
- (iii) A top-mounted access hole is provided at the outlet end of the tank and incorporates a dipstick socket (Figure 1). The socket may have a vertical slot up to 6 mm wide (Figure 2).
- (iv) The dipstick is graduated in 20 L increments. The arrangement of the scale marks shall be in accordance with the Commission's Document 105, *Graduation of Analogue Scales*.

1.2 Verification/Certification Provision

Provision is made for verification/certification marks to be applied to both the tank and to the dipstick.

1.3 Markings

The following data is marked on a nameplate permanently attached to the instrument in a clearly visible location:

Manufacturer's name or mark	
Model number	
Serial number	
NSC approval number	NSC No 8/54
Maximum capacity L

The dipstick is marked with the following data:

Manufacturer's name or mark
Serial number corresponding to serial number of the tank
Datum level
Scale interval

2. Description of Variant 1

Other models in other capacities with up to 10 legs, as listed in Table 1.

TABLE 1

Model Number	Maximum Capacity (litres)	Number of Legs	Maximum Scale Interval (litres)
CFC 360	3 600	4	10
CFC 420	4 200	4	10
CFC 520	5 200	6	20
CFC 620	6 200	6	20
CFC 670	6 700	4	20
CFC 880	8 800	8	20
CFC 1050	10 500	8	20
CFC 1250	12 500	10	20
CFC 1500	15 000	10	20
CFC 1800	18 000	10	20

Approved Capacities

TEST PROCEDURE

Instruments should be tested in conjunction with any relevant tests specified in the Inspector's Handbook.

Maximum Permissible Error at Verification/Certification

The maximum permissible error for all scale marks on the dipstick is ± 1 scale interval.



National Standards Commission

TECHNICAL SCHEDULE No 8/54

VARIATION No 1

Pattern: JAPY Model CFC 520 Milk Tank.

Submittor: Westfalia Separator Australia Pty Ltd
4 Saligna Drive
Tullamarine VIC 3043.

1. Description of Variant 2

Certain models of the CFSTE series in capacities as listed in Table 2.

TABLE 2

Model Number	Maximum Capacity (litres)	Number of Legs	Scale Interval (litres)
CFSTE 2700	2 700	4	10
CFSTE 3100	3 100	4	10
CFSTE 3600	3 600	4	10
CFSTE 4200	4 200	4	10
CFSTE 5000	5 000	4	10
CFSTE 5200	5 200	4	20
CFSTE 6000	6 000	4	20
CFSTE 6200	6 200	6	20
CFSTE 7000	7 000	4	20
CFSTE 8000	8 000	4	20
CFSTE 9000	9 000	4	20
CFSTE 10000	10 000	6	20
CFSTE 10050	10 050	6	50
CFSTE 12050	12 050	6	50
CFSTE 15050	15 050	6	50
CFSTE 18050	18 050	8	50
CFSTE 21050	21 050	8	50

Approved Capacities

TECHNICAL SCHEDULE No 8/54

VARIATION No 2

Pattern: JAPY Model CFC 520 Milk Tank.

Submittor: Westfalia Landtechnik Australia Pty Ltd
4 Saligna Drive
Tullamarine VIC 3043.

1. Description of Variant 3

Certain models of the KRYOS series in capacities as listed in Table 3.

TABLE 3

Model Number	Maximum Capacity (Litres)	Number of Legs	Scale Interval (Litres)
KRYOS 2700	2700	4	10
KRYOS 3100	3100	4	10
KRYOS 3600	3600	4	10
KRYOS 4200	4200	4	10
KRYOS 5000	5000	4	10
KRYOS 5200	5200	6	20
KRYOS 6000	6000	4	20
KRYOS 6200	6200	6	20
KRYOS 7000	7000	4	20
KRYOS 8000	8000	4	20
KRYOS 9000	9000	4	20
KRYOS 10000	10 000	6	20
KRYOS 10050	10 050	6	50
KRYOS 12050	12 050	6	50
KRYOS 15050	15 050	6	50
KRYOS 18050	18 050	8	50
KRYOS 21050	21 050	10	50

National Standards Commission



Notification of Change Certificate of Approval No 8/54 Change No 1

The following change is made to the approval documentation for the
JAPY Model CFC 520 Milk Tank

submitted by Westfalia Separator Australia Pty Ltd
4 Saligna Drive
TULLAMARINE VIC 3043.

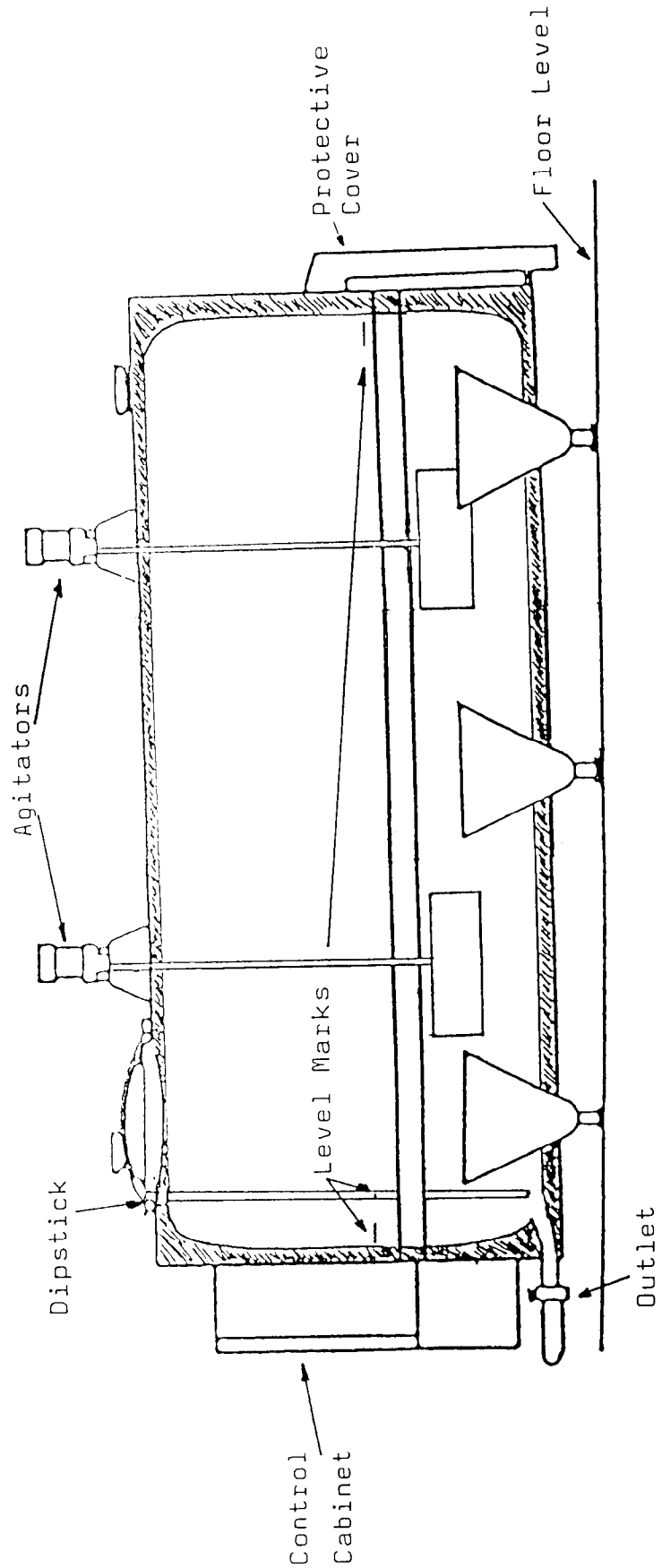
In Certificate of Approval No 8/54 and Technical Schedule Variation No 1 both dated 16 September 1996, and in Technical Schedule No 8/54 dated 6 June 1994, all references to the submittor should be amended to read:

“Westfalia Landtechnik Australia Pty Ltd”

Signed and sealed by a person authorised under Regulation 9 of the National Measurement (Patterns of Measuring Instruments) Regulations to exercise the powers and functions of the Commission under this Regulation.

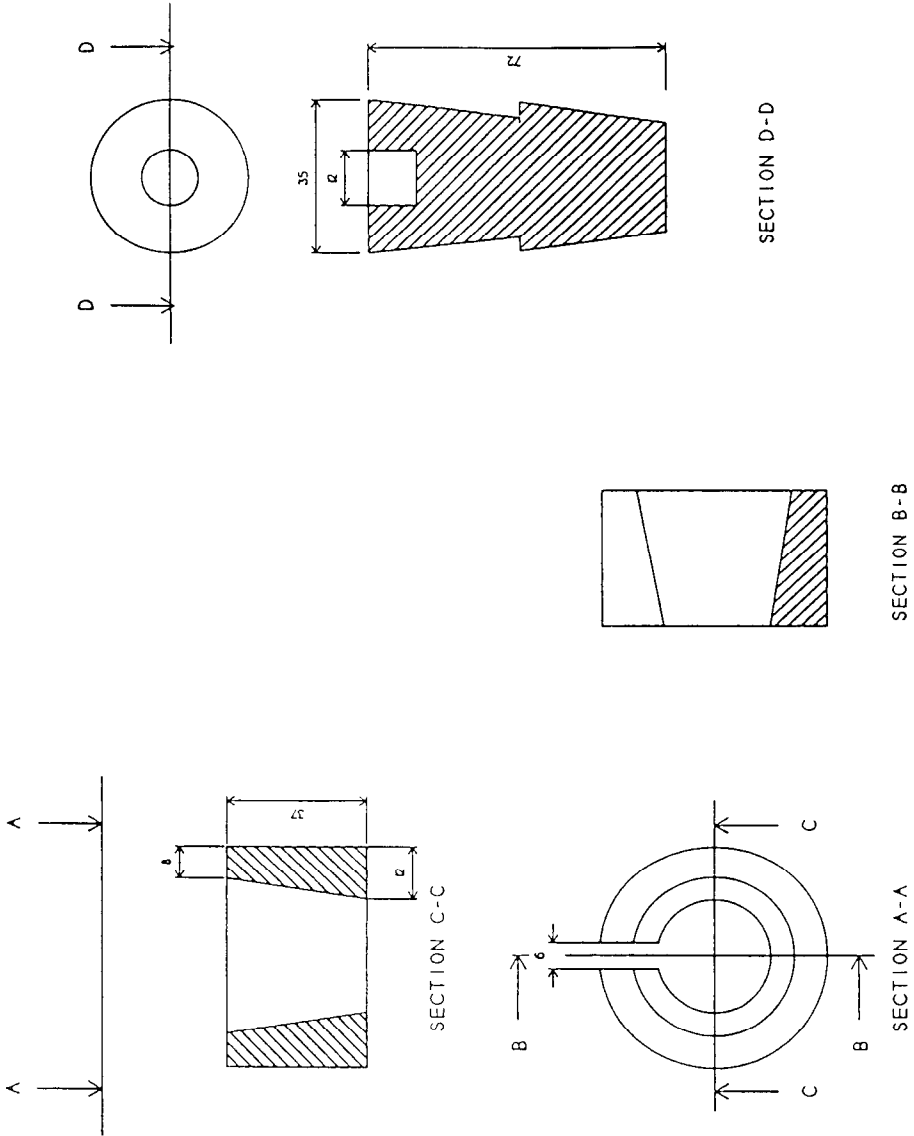


FIGURE 8/54 - 1



JAPY Model CFC 520 Milk Tank

FIGURE 8/54 - 2



Showing Dipstick Socket With Optional Slot