



Australian Government

**National Measurement
Institute**

Bradfield Road, West Lindfield NSW 2070

Cancellation
Certificate of Approval No 8/48A

Issued by the Chief Metrologist under Regulation 60
of the
National Measurement Regulations 1999

This is to certify that the approval for use for trade granted in respect of the

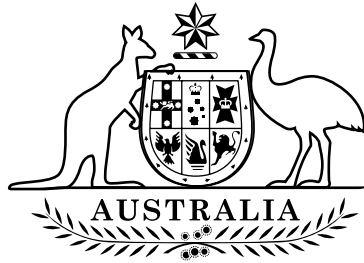
Packo Fullwood Model LEM5000 Milk Tank

submitted by Packo Fullwood Pty Ltd
28-30 Yarragon Road
Leongatha VIC 3953

has been cancelled in respect of new instruments as from 1 September 2006.

Signed by a person authorised by the Chief Metrologist
to exercise his powers under Regulation 60 of the
National Measurement Regulations 1999.

A handwritten signature in black ink, appearing to be 'J. H. T.', written in a cursive style.



National Standards Commission

Certificate of Approval

No 8/48A

Issued under Regulation 63
of the
National Measurement Regulations 1999

This is to certify that an approval for use for trade has been granted in respect of the

Packo Fullwood Model LEM5000 Milk Tank

submitted by Packo Fullwood Pty Ltd
28-30 Yarragon Road
Leongatha VIC 3953.

NOTE: This Certificate relates to the suitability of the pattern of the instrument for use for trade only in respect of its metrological characteristics. This Certificate does not constitute or imply any guarantee of compliance by the manufacturer or any other person with any requirements regarding safety.

CONDITIONS OF APPROVAL

This approval becomes subject to review on 1 May 2003, and then every 5 years thereafter.

Instruments purporting to comply with this approval shall be marked NSC No 8/48A and only by persons authorised by the submittor.

It is the submittor's responsibility to ensure that all instruments marked with this approval number are constructed as described in the documentation lodged with the Commission and with the relevant Certificate of Approval and Technical Schedule. Failure to comply with this Condition may attract penalties under Section 19B of the National Measurement Act and may result in cancellation or withdrawal of the approval, in accordance with the Commission's Document 106.

The Commission reserves the right to examine any instrument or component of an instrument purporting to comply with this approval.

DESCRIPTIVE ADVICE

Pattern: approved 23 April 1998

- A Packo Fullwood model LEM5000 milk tank of 5000 L capacity.

Variants: approved 23 April 1998

1. Certain other models and capacities as listed in Table 1.

Technical Schedule No 8/48A describes the pattern and variant 1.

Variants: approved 9 September 1999

2. Model LEM30000 of 30 000 L capacity.

Technical Schedule No 8/48A Variation No 1 describes variant 2.

FILING ADVICE

Certificate of Approval No 8/48A dated 15 July 1998 is superseded by this Certificate, and may be destroyed. The documentation for this approval now comprises:

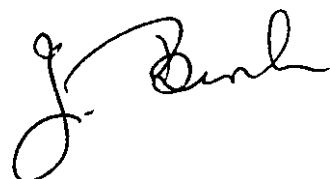
Certificate of Approval No 8/48A dated 15 December 1999

Technical Schedule No 8/48A dated 15 July 1998 (incl. Table 1 & Test Procedure)

Technical Schedule No 8/48A Variation No 1 dated 15 December 1999

Figure 1 dated 15 July 1998

Signed and sealed by a person authorised under Regulation 9 of the National Measurement (Patterns of Measuring Instruments) Regulations to exercise the powers and functions of the Commission under this Regulation.



TECHNICAL SCHEDULE No 8/48A

Pattern: Packo Fullwood Model LEM5000 Milk Tank

Submittor: Packo Fullwood Pty Ltd
28-30 Yarragon Road
Leongatha VIC 3953.

1. Description of Pattern

A Packo Fullwood model LEM5000 horizontal cylindrical refrigerated milk tank of 5 000 L capacity (Figure 1) incorporating a dipstick for the measurement of the volume.

1.1 Details

- (i) The tank is a horizontal stainless steel cylinder sheathed in an outer casing of stainless steel; the cavity between is filled with insulating material. The bottom of the tank slopes towards the outlet control valve.
- (ii) A top mounted access hole is provided at the outlet end of the tank and incorporates a dipstick socket and dipstick.
- (iii) The dipstick is graduated in 10 L increments.
- (iv) Levelling is effected by means of 4 adjustable legs, with reference to the datum level marks permanently marked on the tank (Figure 1). Each leg has provision for fixing to the floor. At least one leg at each end has provision for sealing, after levelling.
- (v) A milk sampling valve may be fitted.

1.2 Verification/Certification Provision

Provision is made for a verification/certification mark to be applied to both the tank and the dipstick.

1.3 Markings

- (a) The following data is marked on the nameplate permanently attached to the instrument in a clearly visible location:

Manufacturer's mark, or name written in full

Model number

Serial number

Pattern approval mark in the form:

NSC No 8/48A

Maximum capacity in the form

..... L

(b) The dipstick is marked with the following:

Manufacturer's mark, or name written in full
Serial number corresponding to the serial number of the tank
Datum level
Scale interval

2. Description of Variant 1

Models and capacities as listed in Table 1.

Model Number	Maximum Capacity (litres)	Number of Legs	Scale Interval (litres)
LEM4000	4 000	4	10
LEM6200	6 200	6	20
LEM8000	8 000	8	20
LEM10000	10 000	10	20
LEM12000	12 000	12	50
LEM14000	14 000	12	50
LEM17500	17 500	14	50
LEM21000	21 000	18	50
LEM25000	25 000	20	50

TEST PROCEDURE

Instruments should be tested in conjunction with any tests specified in the Inspector's Handbook.

Maximum Permissible Error at Verification/Certification

The maximum permissible error for all scale marks on a dipstick is ± 1 scale interval.

TECHNICAL SCHEDULE No 8/48A
VARIATION No 1

Pattern: Packo Fullwood Model LEM5000 Milk Tank

Submittor: Packo Fullwood Pty Ltd
28-30 Yarragon Road
Leongatha VIC 3953.

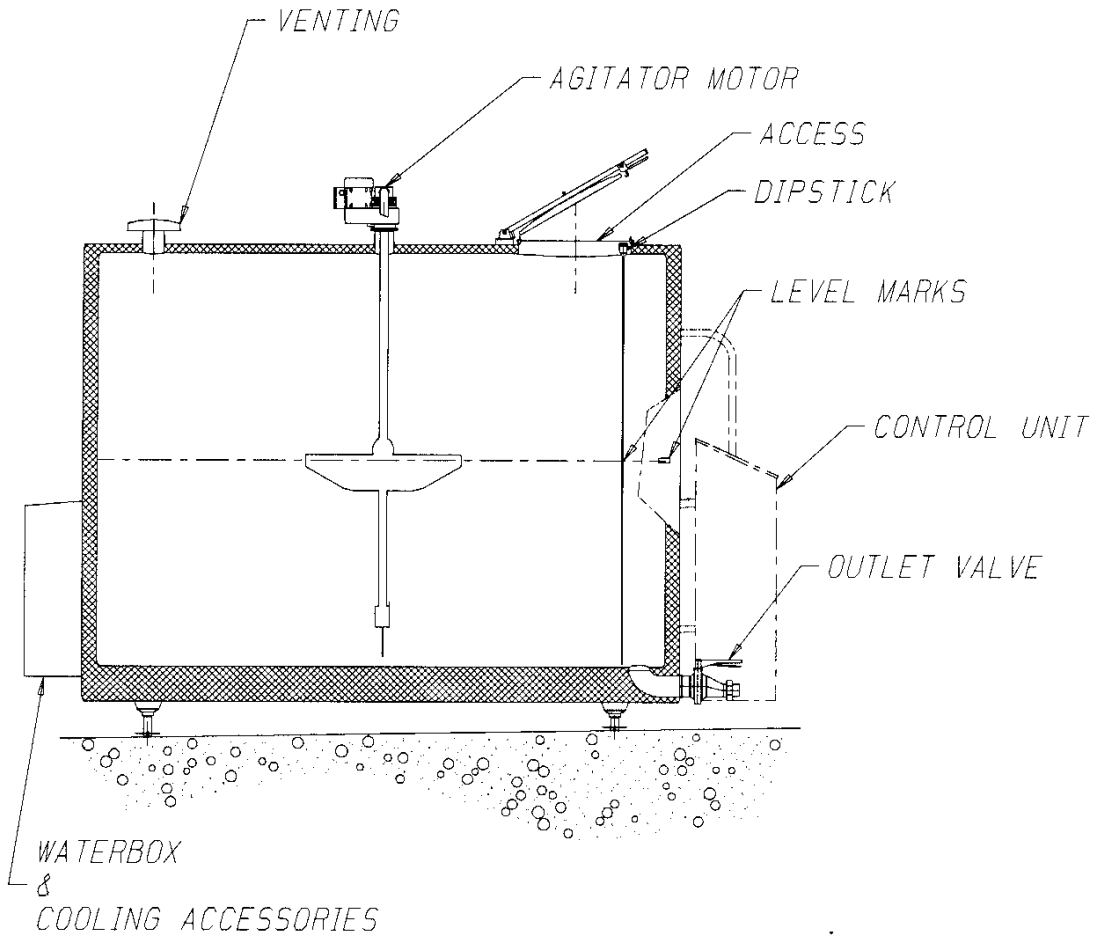
1. Description of Variant 2

A Packo Fullwood model LEM30000 horizontal cylindrical refrigerated milk tank of 30 000 L capacity.

The dipstick is graduated in 50 L increments.

Tanks are fitted with 26 legs.

FIGURE 8/48A - 1



Packo Fullwood Model LEM5000 Milk Tank