

CERTIFICATE OF APPROVAL No 8/22

VARIATION No 1

CANCELLED

This is to certify that the following modification of the patterns of the 0/3

Dairy-Kold Maxi Farm Milk Tank

approved in Certificate No 8/22 dated 28 April 1971

submitted by M. J. Marshall Pty Ltd,
92 Belmore Road,
Riverwood, New South Wales, 2210,

has been approved under the Weights and Measures (Patterns of Instruments) Regulations as being suitable for use for trade.

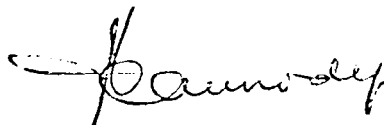
Date of Approval: 14 October 1974.

The approved modification, described in Technical Schedule No 8/22 — Variation No 1 and in drawings and specifications lodged with the Commission, provides for a capacity of 7740 litres.

Approval is granted on condition that it is limited to one farm milk tank, Serial No 4511, located at Virginia, South Australia.

The instrument shall be marked "NSC No 8/22".

Signed



Executive Officer

Indexed



Weights and Measures
(National Standards)
Act 1960-1966
Weights and Measures
(Patterns of Instruments)
Regulations

CANCELLED

0/3
31-12-90

COMMONWEALTH OF AUSTRALIA

NATIONAL STANDARDS COMMISSION

Certificate of Approval

CERTIFICATE NUMBER 8/22

In respect of the pattern of

Dairy-Kold Maxi Farm Milk Tank and Variants.

Submitted and

manufactured by: M. J. Marshall Pty. Ltd.,
92 Belmore Road,
Riverwood,
New South Wales. 2210.

This is to certify that the pattern and variants of the instrument illustrated and described in this Certificate have been examined by the National Standards Commission under the provisions of the abovementioned Regulations and have been approved as being suitable for use for trade.

The pattern and variants were approved on 21st April, 1971.

Approval was granted on condition that all instruments made in conformity with this Certificate:

1. are appropriately marked NSC No 8/22; and
2. comply with the General Specifications for Weighing and Measuring Instruments to be Used for Trade.

28/4/71

Cont'd over

This Certificate comprises:

Pages 1 to 3 dated 28th April, 1971.

Figures 8/22 - 1 to 5 dated 28th April, 1971.

Date of issue 28th April, 1971.

Signed



A person authorised by the Commission
to sign Certificates under the
abovementioned Regulations.

28/4/71

DESCRIPTION OF PATTERN

The pattern (see Figures 1 and 2) is of a refrigerated farm milk tank of 1010 gallons capacity.

It consists of a horizontal stainless steel cylinder of elliptical cross-section sheathed in an outer casing of stainless steel; the cavity between is filled with insulating material. The lower part of the cylinder is refrigerated.

The tank has a major axis of 5 feet 9 inches and a cylinder length of 9 feet 7 inches. It has dished ends $3\frac{1}{2}$ inches deep.

The tank is supported on a heavy stainless steel chassis to which eight adjustable legs are attached (see Figure 3).

There are two manholes in the top of the tank and the agitator motor is mounted midway between them (see Figure 4).

The dipstick, which is mounted in a tapered socket, and the level indicator are mounted close together between one manhole and the agitator motor. Access to the dipstick and level indicator is provided by a ladder.

The capacity level marks are located on each side of the ends of the tank (see Figure 5). The outlet-control device is a 2-inch stainless steel removable cock (see Figure 1).

DESCRIPTION OF VARIANTS

1. In other capacities from 850 to 1500 gallons*, in which cases the cylinder lengths may vary from 8 feet to 14 feet 6 inches. Tanks may be fitted with two agitators.
2. Calibrated in pounds.

* Includes the pattern.



NATIONAL STANDARDS COMMISSION

TECHNICAL SCHEDULE No 8/22

VARIATION No 1

Pattern: Dairy-Kold Maxi Farm Milk Tank

Submitter: M. J. Marshall Pty Ltd,
92 Belmore Road,
Riverwood, New South Wales, 2210.

Date of Approval of Variation: 14 October 1974

The modification described in this schedule applies to the patterns described in the following pages and figures of Certificate No 8/22 dated 28 April 1971:

Page 3 dated 28 April 1971

Figures 8/22 - 1 to 5 dated 28 April 1971

Conditions of Approval:

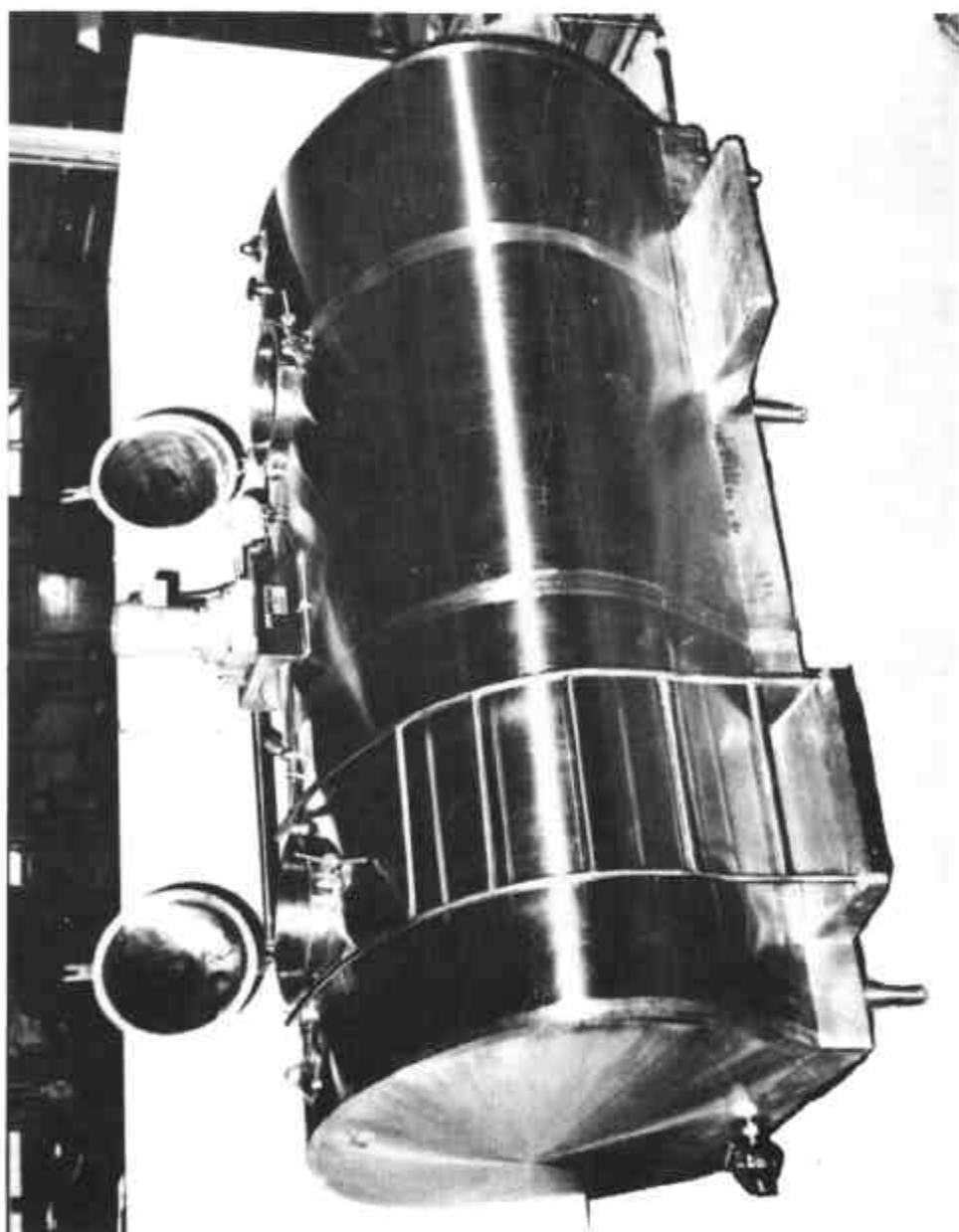
Approval was granted on condition that the approval is limited to the farm milk tank, Serial No 4511, located at Virginia, South Australia.

The instrument conforming to this approval shall be marked "NSC No 8/22"

Description:

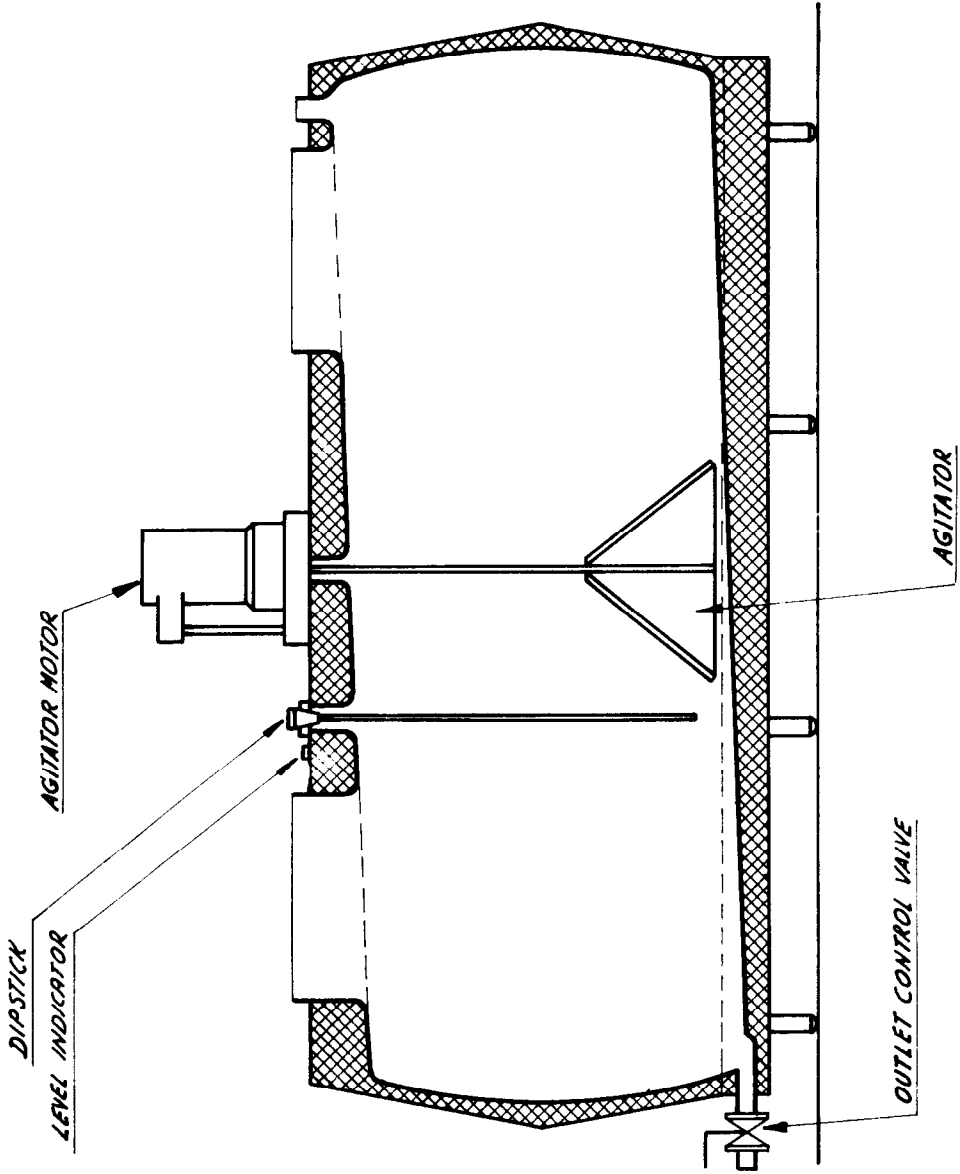
The approved modification provides for a tank of capacity 7740 litres. The tank is 4,22 m in length, 1,8 m wide, and 1,23 m high. The dipstick is offset by 0,48 m from the centreline of the tank.

FIGURE 8/22 - 1



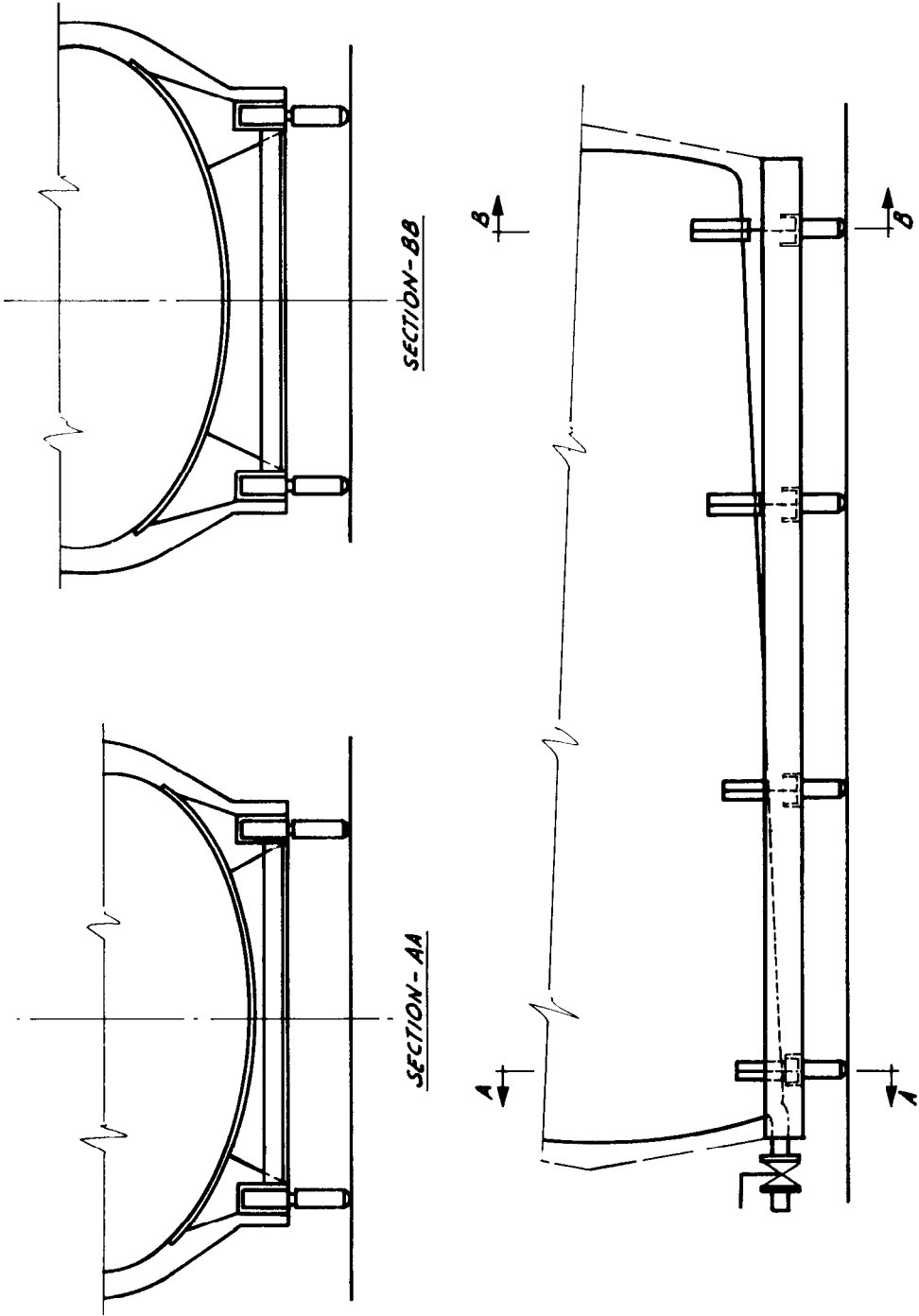
Dairy-Kold Maxi Farm Milk Tank

FIGURE 8/22 - 2



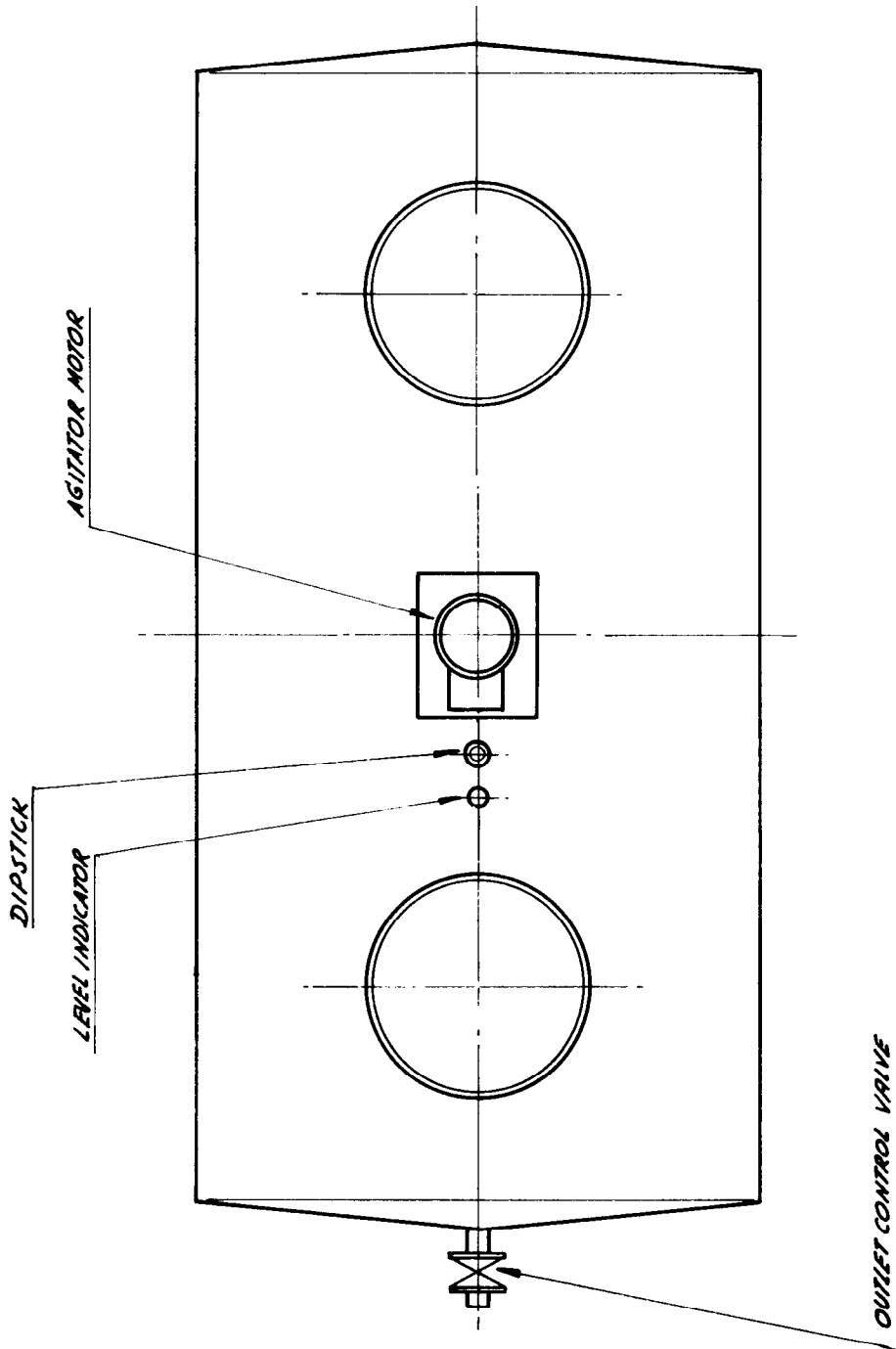
Dairy-Kold Maxi Farm Milk Tank — Cross-sectional Elevation

FIGURE 8/22 - 3



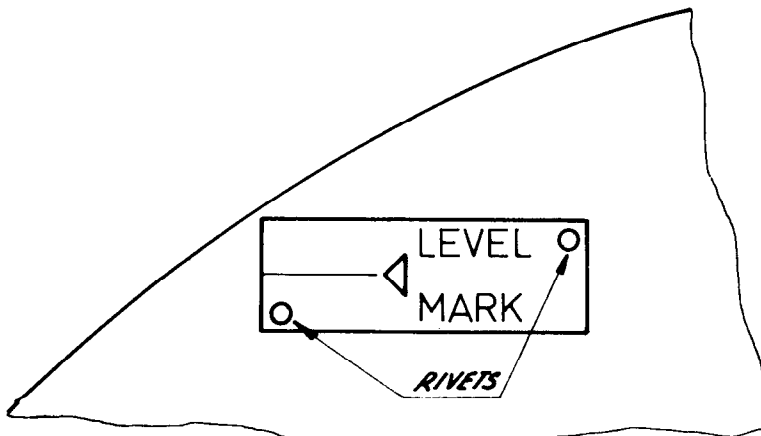
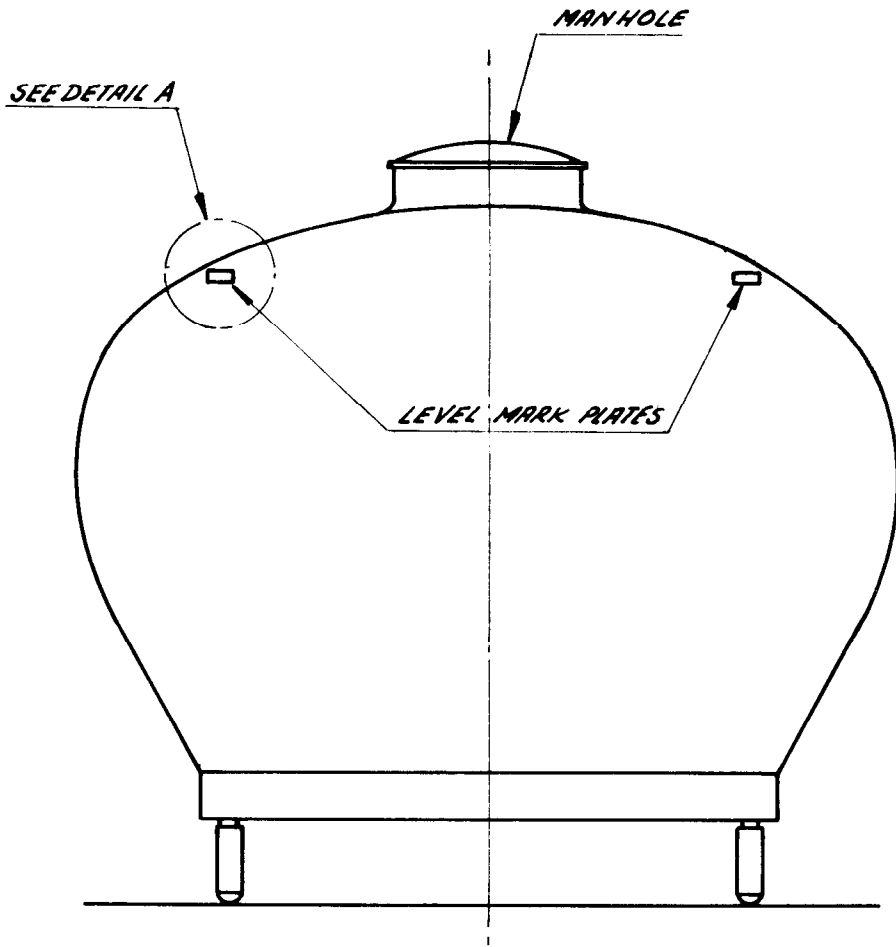
Dairy-Kold Maxi Farm Milk Tank -- Chassis Details

FIGURE 8/22 - 4



Dairy-Kold Maxi Farm Milk Tank — Plan View

FIGURE 8/22 - 5



DETAIL-A