



Weights and Measures
(National Standards)
Act 1960-1966

Weights and Measures
(Patterns of Instruments)
Regulations

CHECKED

0/3
3112-20

COMMONWEALTH OF AUSTRALIA

NATIONAL STANDARDS COMMISSION

Certificate of Approval

CERTIFICATE NUMBER 8/2

In respect of the pattern of

Milkoola Farm Milk Tank and Variants.

Submitted and
manufactured by: A. E. Truscott Industries Ltd. ,
39-61 Melbourne Street,
East Maitland,
New South Wales. 2323.

This is to certify that the pattern and variants of the instrument illustrated and described in this Certificate have been examined by the National Standards Commission under the provisions of the abovementioned Regulations and have been approved as being suitable for use for trade.

The pattern and variant 1 were approved on 26th January, 1967, variants 2 and 3 were approved on 26th June, 1967, variant 4 was approved on 31st July, 1967, and variant 5 was approved on 12th July, 1968.

Approval was granted on condition that all instruments made in conformity with this Certificate:

1. are appropriately marked NSC No 8/2; and
2. comply with the General Specifications for Weighing and Measuring Instruments to be Used for Trade.

30/4/71

Cont'd over

This Certificate comprises:

Pages 1 to 4 dated 30th April, 1971.

Figures 8/2 - 1 to 3 dated 30th April, 1971.

Date of issue 30th April, 1971.

Signed

A handwritten signature in cursive script that reads "Ian Hoerlein".

A person authorised by the Commission
to sign Certificates under the
abovementioned Regulations.

30/4/71

DESCRIPTION OF PATTERN

The pattern is of a farm milk tank of 500 gallons capacity.

It consists of a vertical stainless steel cylinder ~~of circular cross-section~~, 6 feet 2 inches internal diameter, sheathed in an outer casing of stainless steel; the cavity between is filled with insulating material (see Figure 1). The bottom is in the form of an offset cone leading to the outlet, which is sealed by an internal plug. The lower part of the tank is refrigerated.

The tank is supported on three adjustable legs.

The bridge spanning the top of the tank slopes downward from the centre and has upturned flanges along each side (see Figures 1 and 2). It carries a combined dial thermometer and thermostat, an agitator motor, the outlet valve control rod and a level indicator. The tank is marked "instrument incorrect if not truly level". Two hinged lids are supported by the bridge.

The dipstick is located in a tapered socket bracketed to the inner wall of the tank under the lid (see Figure 3).

The liquid level at capacity is not less than $1\frac{1}{2}$ inches from the brim of the tank.

DESCRIPTION OF VARIANTS

1. In other capacities, namely:

<u>Capacity</u>	<u>Inside Diameter</u> (± 1 inch)
gallons	ft in
100 to 150	3 11
150 to 250	4 4
250 to 350	4 11
350 to 450	5 5
*450 to 700	6 2

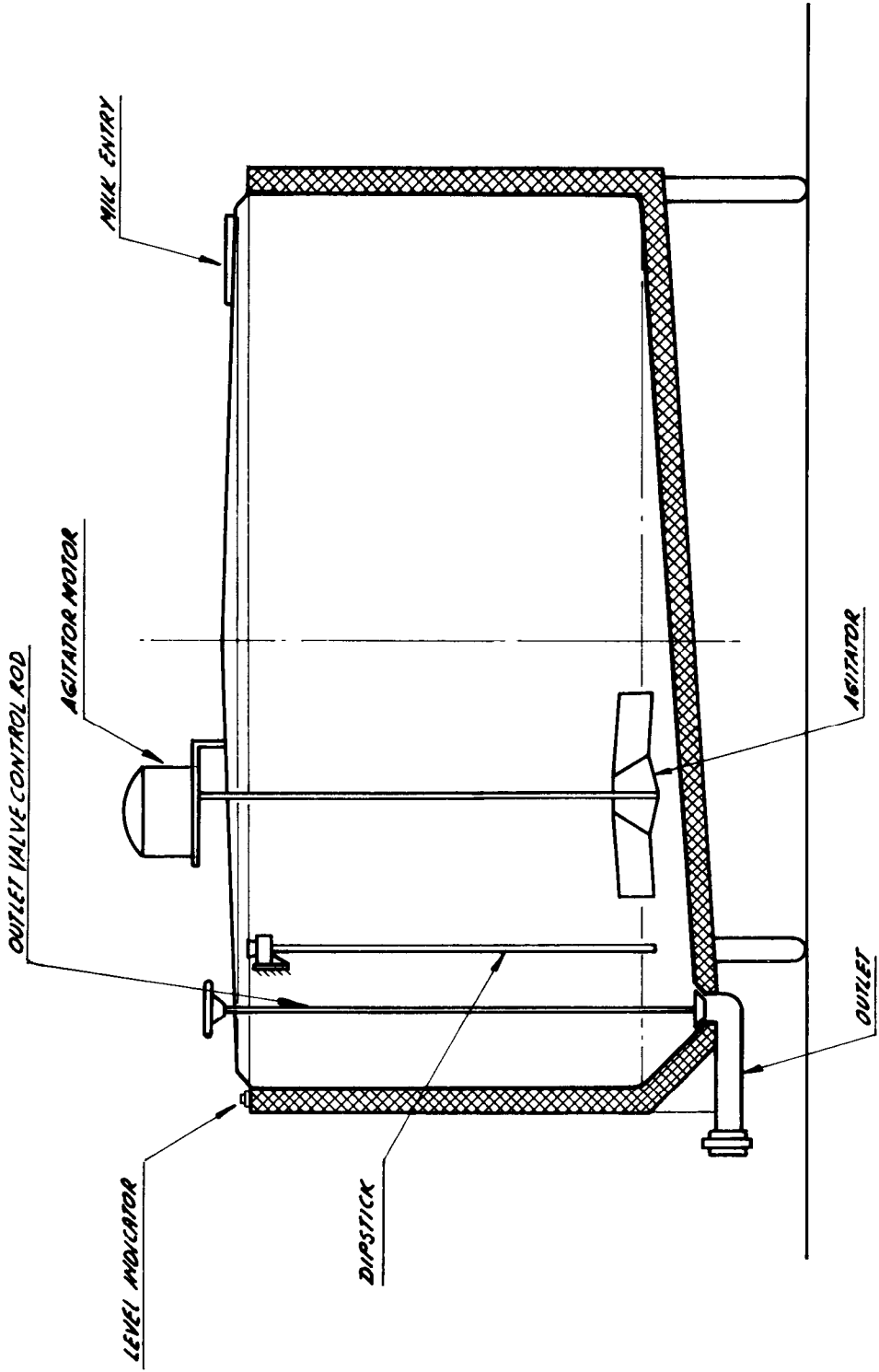
* Includes the pattern.

2. With the level indicator mounted on a bracket welded to the outer sheath of the tank at the leg-ring, above the tank outlet. The bracket has a protective wall to which is fitted a self-closing hinged lid.
3. Tanks of capacity 150 to 250 gallons as described in variant 2 fitted with a flat bridge, in which case they are known as a Truscott Junior Farm Milk Tank. The dipstick and tapered socket are on the bridge, and the level indicator is mounted on the breastpiece at one end of the bridge.
4. Calibrated in pounds.
5. The pattern or variant 2 in other capacities between 700 and 750 gallons with an internal diameter of 6 feet 2 inches \pm 1 inch.

GENERAL NOTES

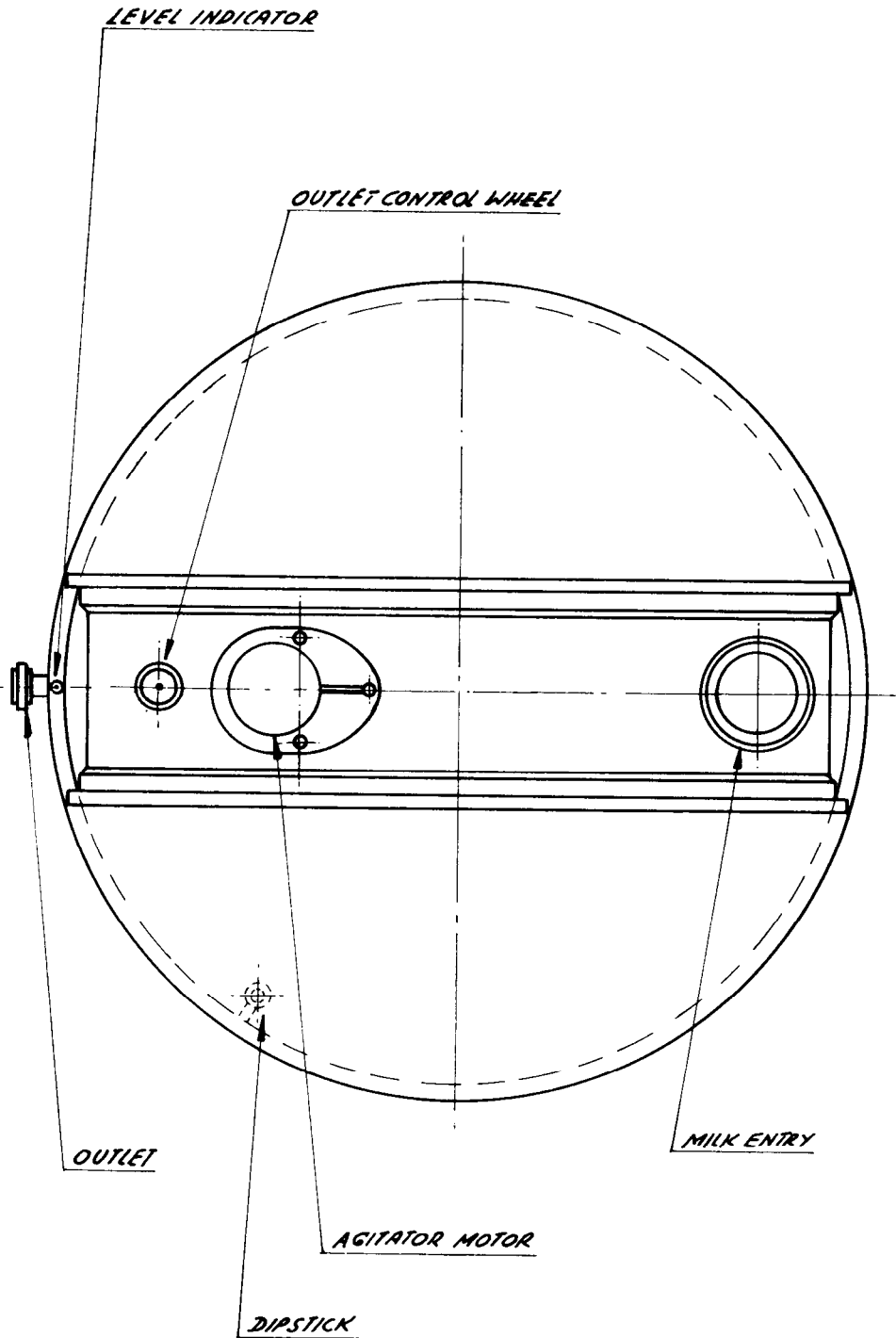
Notice of approval of the pattern and variants described in this Certificate was given in Memorandum of Approval No 76B dated 18th July, 1968.

FIGURE 8/2 - 1



Milkoola Farm Milk Tank — Cross-sectional Elevation

FIGURE 8/2 - 2



Milkoola Farm Milk Tank — Plan View

30/4/71

FIGURE 8/2 - 3



Milkoola Farm Milk Tank — Dipstick and Socket

30/4/71