



NATIONAL STANDARDS COMMISSION

CERTIFICATE OF APPROVAL No 8/130

Approved: Malleys Farm Milk Tank

This is to certify that the pattern and variants of the abovementioned instrument have been approved under the Weights and Measures (Patterns of Instruments) Regulations as being suitable for use for trade when converted to read in metric units in accordance with Appendix 9 of the General Specifications for Measuring Instruments to be Used for Trade.

Date of Approval: 10 June 1974

Description of Pattern:

The pattern and variants may be identified by reference to the following approval numbers:

Victoria Approval Nos 16, 19

A drawing of a typical instrument is shown in Figure 1.

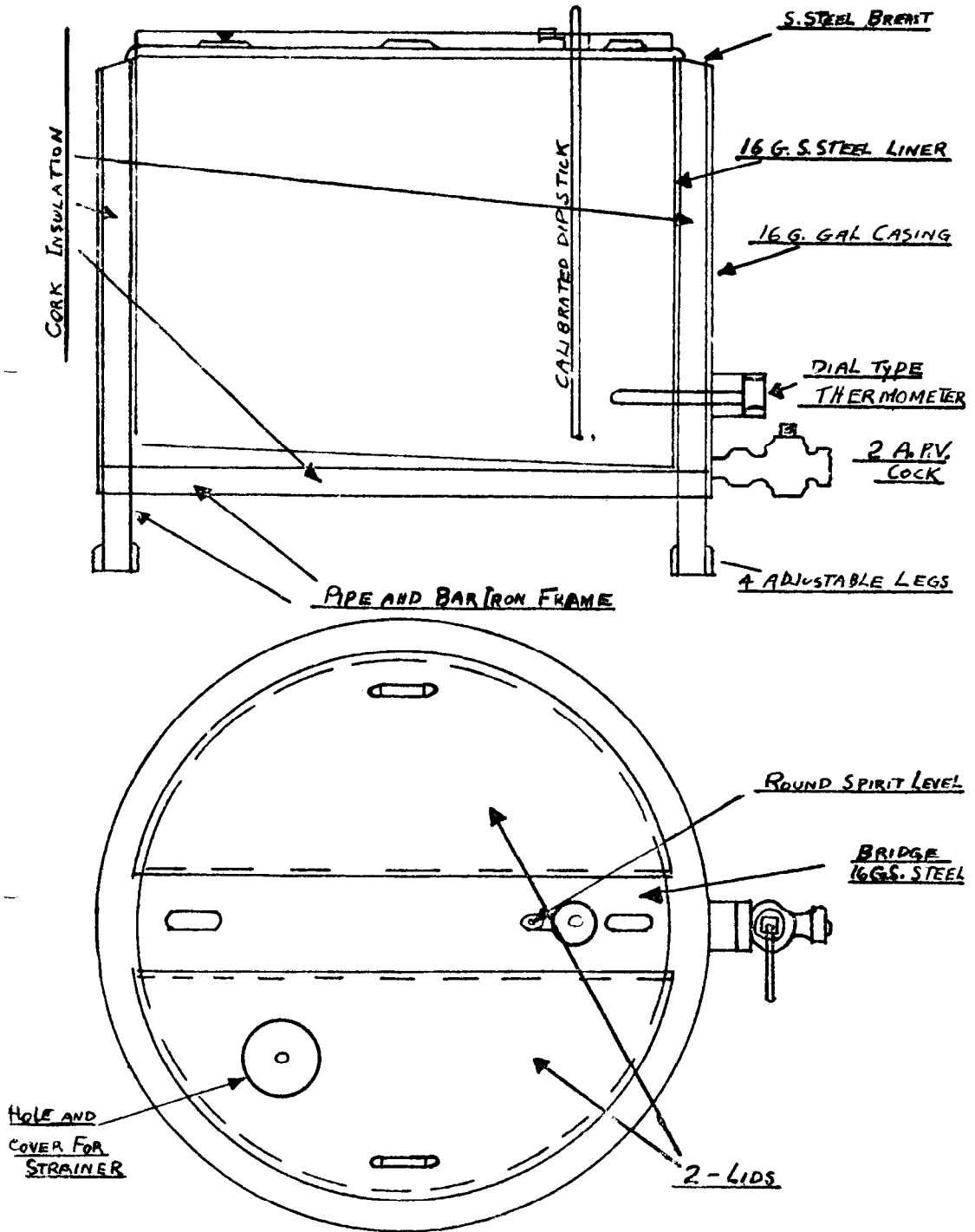
Conditions of Approval:

1. This approval is subject to review on or after 31 December 1975 to determine the extent to which the pattern and variants may need to be modified to comply with the Commission's pattern approval requirements at the date of review.
2. All instruments conforming to this approval shall be marked "NSC No 8/130".

Signed

Executive Officer

FIGURE 8/130 - 1



Malley's Farm Milk Tank

18/6/74