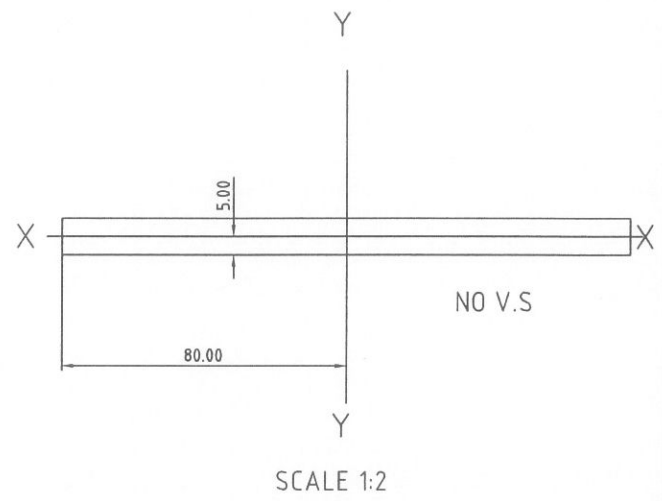
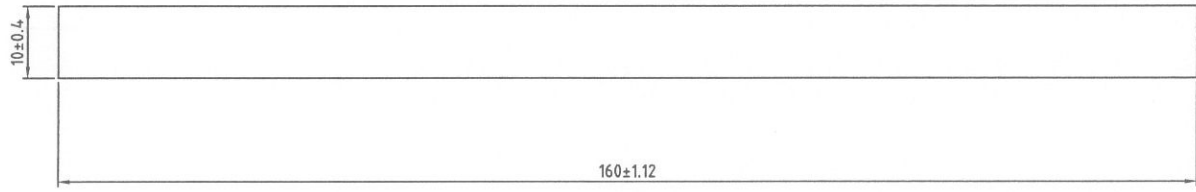


SKETCH NO: ME0004003 (ME4003)	PANASIA ALUMINIUM EXTRUSIONS								DIE NO
	ALLOY 7005	TEMPER T593	TOTAL PERIM 340.00	ANOD.PERIM 340.00	PAINT PERIM 103.91	AREA(SQ MM) 1600.00	MASS(KG/M) 4.336	EXTR FINISH	



UNSPECIFIED WALL THICKNESS: -  
0.30 mm Rad on all corners unless otherwise specified

Tolerances in Accordance with AS/NZS 1866:1997 Unless Otherwise Specified		$I_{xx} = 13.333 \times 10^3 \text{ mm}^4$
		$I_{yy} = 3413.333 \times 10^3 \text{ mm}^4$



Your Aluminium Solutions

CUSTOMER AUSWIDE	CUSTOMER REF : -	DRAWN L.J.X	B A	ISSUE	MODIFICATION	COMPANY ISSUE	CHECKED	DATE 10/02/12 23/8/02
APPLICATION RAMP	SCALE : 1:1	CHECKED						
SPECIAL REQUIREMENTS		APPROVED	A					