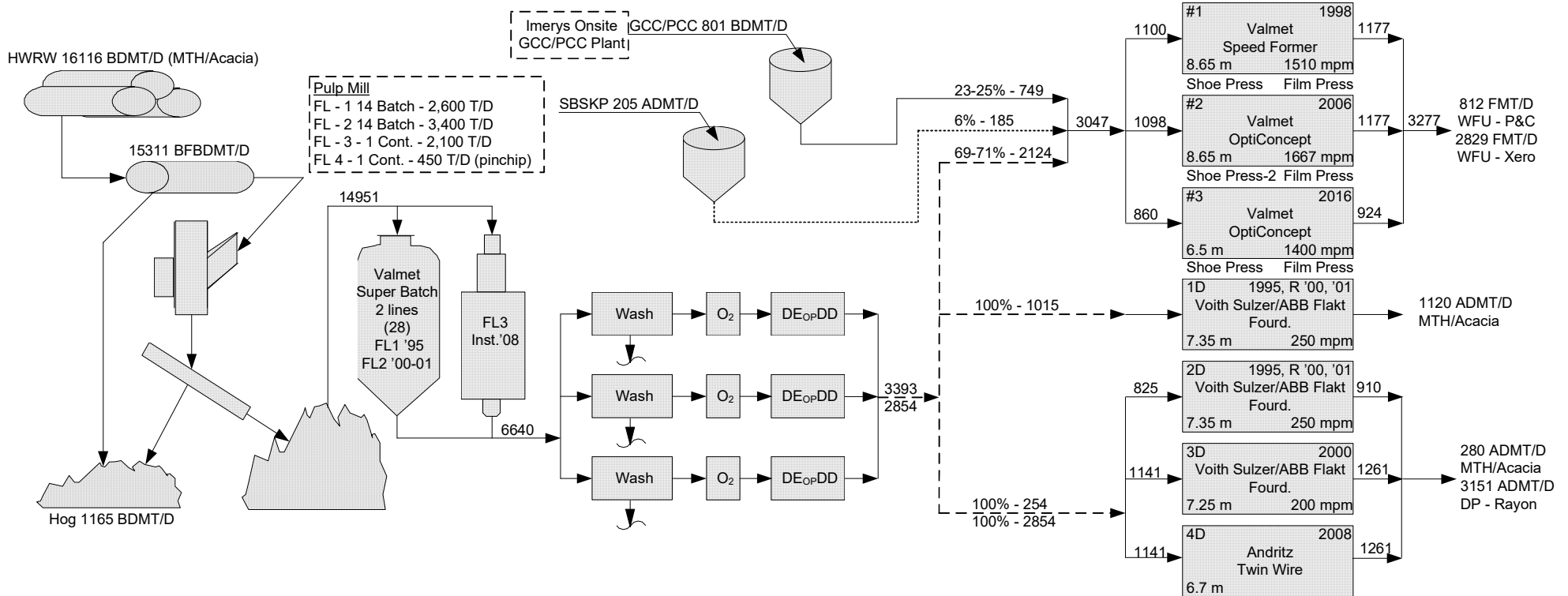


# APRIL (PT RIAU ANDALAN PULP AND PAPER) - KERINCI, INDONESIA



SUMMARY					
		WFU	WFU	BHKP	DP
		P&C	Xero	Acacia	Rayon
HWRW	BDMT/FMT	1.414	1.390	1.952	2.539
SBSKP	ADMT/FMT	0.063	0.062	---	---
Starch	BDMT/FMT	0.042	0.042	---	---
Filler	BDMT/FMT	0.229	0.250	---	---
Hogfuel	BDMT/FMT	0.031	0.030	0.006	-0.020
Coal	MT/FMT	0.247	0.242	0.047	---
Natural Gas	m <sup>3</sup> /FMT	63	61	38	51
Oil	BBL/FMT	0.042	0.040	0.008	0.006
<b>MANNING:</b>	<b>TOTAL:</b>				
Operators		1500	169	513	215
Maintenance		500	56	171	72
Sub-Total		2000	226	685	287
Exempt		375	42	128	54
Non-Exempt		125	14	43	18
Total		2500	282	856	358
MH/FMT		2.19	2.19	1.62	2.01
2761 for converting and other operations					

**Mill Information**  
 The company rebuilt two of its fiber lines between 2017 and 2019 to be able to produce dissolving pulp.

