

PEAKFORM Suspension Systems


Armstrong[®]
CEILING SOLUTIONS



24 NOVEMBER 2023

PEAKFORM SUSPENSION

The PeakForm Range: Where Innovation meets Performance

 **PeakForm** is a comprehensive range of suspended ceiling grid solutions designed to meet most commercial design requirements:

- General Application: Including PRELUDE XL² 24mm and SUPRAFINE XL² 15mm Tee Grid systems.
- Designer Applications: Including the minimalist SILHOUETTE 15 XL² Steel Exposed Slotted Grid.

Axiom Perimeter Solutions

PeakForm Grid Systems are made complete with a Comprehensive range of Axiom Perimeter Solutions, including: Wall angles, Trims, Transitions, Pelmet and Accessories.

PeakForm Grid Profiles

PeakForm is an innovative design for Main Bars and Cross Runners. The taller **PeakForm** profiles are engineered to create a stronger, more stable suspension system making installation both faster and easier.

PeakForm Main Bars feature a firm, quick and easy assembled Main Bar to Main Bar / bulb to-bulb connection.

The staked-on Superlock joiner clip allows for Main Bars to be disconnected and reconnected laterally in low clearance areas or in the middle of a room. Superlock is an industry first staked-on clip for Main Bars which provide tighter, secure bulb-to-bulb connections; connections are confirmed by an audible click.



Thin gauge technology

A lighter carton weight enables easier handling on site, plus the added benefit of the **PeakForm** bulb allows easy cutting of the grid.



Physical detail

All grid sections are made from double-web galvanised steel with a surface finish of baked polyester paint.

Rotary Stitched for strength

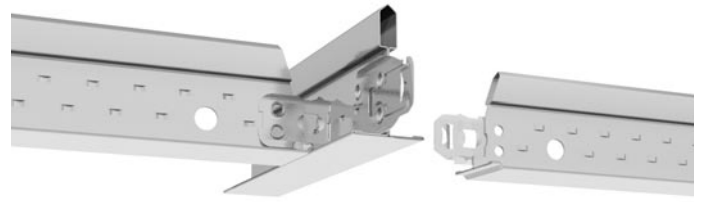
All **PeakForm** components feature a unique “rotary stitched” construction. The two metal layers of the vertical web are mechanically locked together in a sophisticated in-line process. Stitching enhances the torsional resistance and general “feel” of the **PeakForm** components.



PeakForm “click” installation

PeakForm Cross Runners in both 24mm and 15mm widths feature an advanced stab system that locates with an audible “click”, ensuring a solid installation at all times. The “stab” end details are precision stamped from a separate piece of high grade steel providing increased accuracy and speed of installation.

Cross Runners are inserted to the right of each other through the Main Bar slots and easily pushed home.



Sustainability

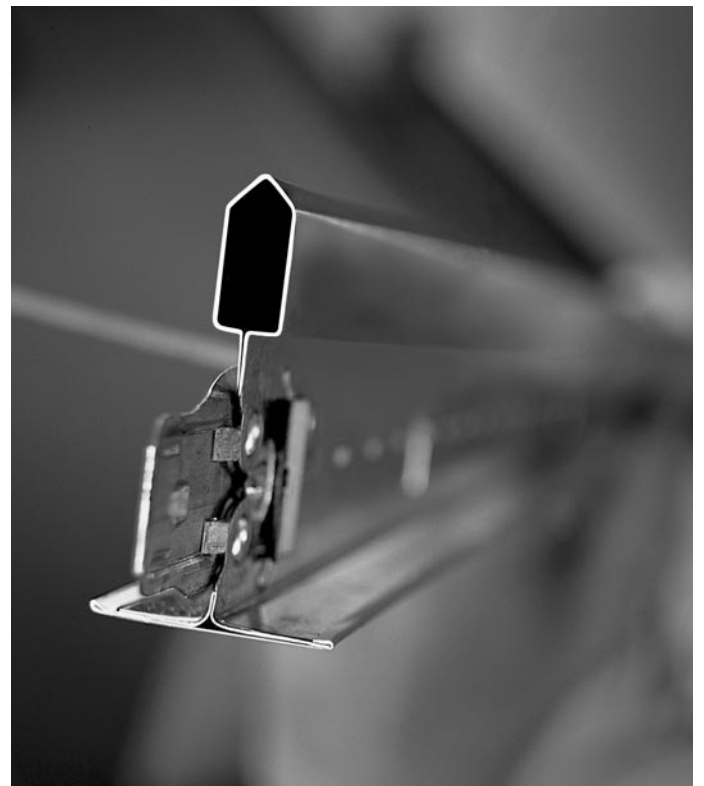
Armstrong **PeakForm** suspension systems contain ~25% recycled content and can be fully recycled at the end of life.

PeakForm grid systems are modular and can be disassembled and reused.

PeakForm suspension systems meet the requirements of Australian Standard AS/NZS 2785:2020 “Suspended Ceilings Design and Installation” and are designed for use with a wide variety of Armstrong ceiling products including: mineral and soft fibre, metal, wood and special solutions.

Compliant with Australian & New Zealand Standards

PeakForm suspension systems meet the requirements of AS/NZS 2785:2020 “Suspended Ceilings Design and Installation” and are designed for use with a wide variety of Armstrong ceiling products including: mineral and soft fibre, metal, wood, plasterboard and other special panels.



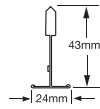
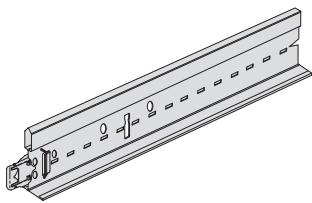
For Seismic Design support please contact your local Armstrong Ceilings office.

PeakForm Prelude 24 XL²



PeakForm PRELUDE 24 XL² suspension system is a robust, general purpose, exposed 24mm “tee” grid, suitable for square edge and tegular edge ceiling panels.

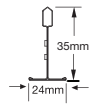
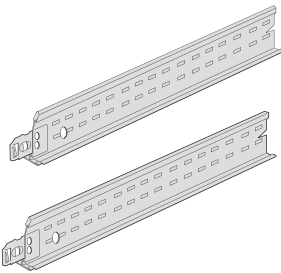
Main Bar: PRELUDE 24 XL² with Superlock Clip (bulb-to-bulb connection)



Item Number	Dimensions			Rout Centres mm	Content / Carton		Weight / Carton kg
	length (mm)	height (mm)	width (mm)		pcs	lm	
73 40 42	3600	43	24	100	20	72	22
BP 73 40 42 BL*	3600	43	24	100	20	72	22

* Black Pre-painted Capping

Cross Runner: PRELUDE 24 XL² (stab system, override)

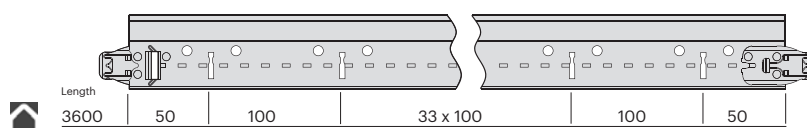


Item Number	Dimensions			Rout Centres mm	Content / Carton		Weight / Carton kg
	length (mm)	height (mm)	width (mm)		pcs	lm	
HBP 31 30 52	1200	35	24	300	60	72	21
BP 31 30 52 BL*	1200	35	24	300	60	72	21
HBP 31 20 22	600	30	24	-	60	36	10
BP 31 20 22 BL*	600	30	24	-	60	36	10

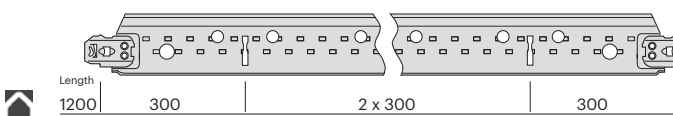
* Black Pre-painted Capping

Section Drawings

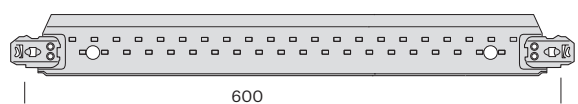
Main Bars PRELUDE 24



Cross Runner PRELUDE 24 XL²

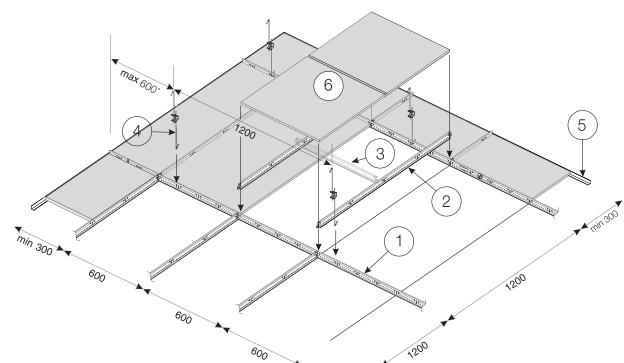
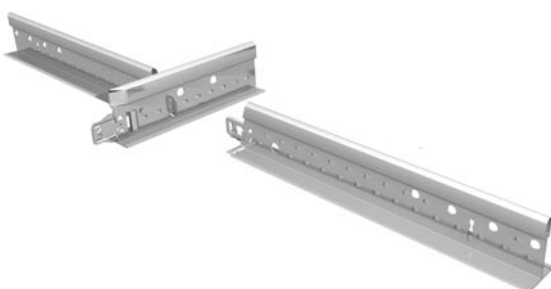


Cross Runner PRELUDE 24 XL²



System Drawing and Installation (Typical modules are 1200 x 600mm and 600 x 600mm. Special sizes available upon request.)

Standard lay-in installation of 24mm exposed suspension system using Board or Tegular tiles.

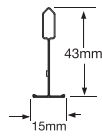
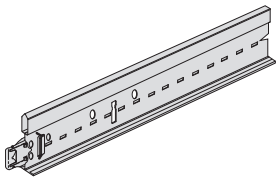


PeakForm Suprafine 15 XL²



PeakForm SUPRAFINE 15 XL² suspension system is a refined narrow profile, exposed 15mm "tee" grid, suitable for tegular edge ceiling panels.

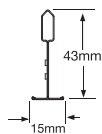
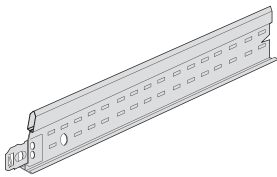
Main Bar: SUPRAFINE 15 XL² with Superlock Clip (bulb-to-bulb connection)



Item Number	Dimensions			Rout Centres mm	Content / Carton		Weight / Carton kg
	length(mm)	height(mm)	width(mm)		pcs	lm	
HBP 75 40 42	3600	43	15	100	20	72	22.50

* Black Pre-painted Capping

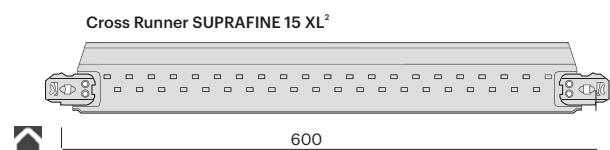
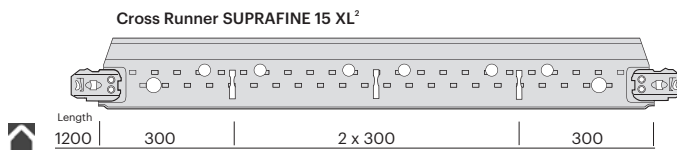
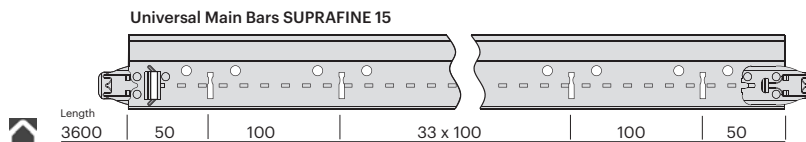
Cross Runner: SUPRAFINE 15 XL² (stab system, override)



Item Number	Dimensions			Rout Centres mm	Content / Carton		Weight / Carton kg
	length(mm)	height(mm)	width(mm)		pcs	lm	
HBP 75 30 42	1200	43	15	300	60	72	20.70
HBP 75 20 42	600	43	15	-	60	36	10.30

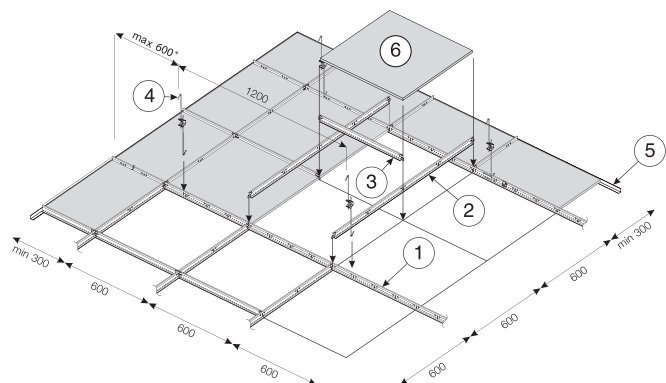
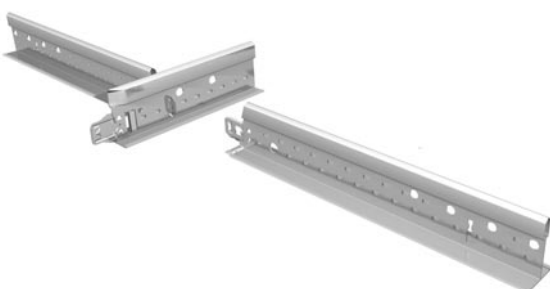
* Black Pre-painted Capping

Section Drawings

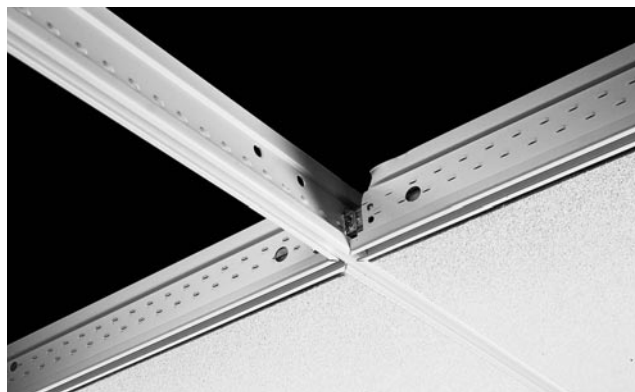


System Drawing and Installation (Typical modules are 1200 x 600mm and 600 x 600mm. Special sizes available upon request.)

Standard lay-in installation of 15mm exposed suspension system for Tegular Edge Panels.

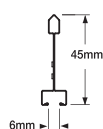
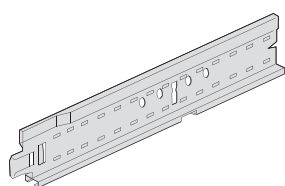


PeakForm Silhouette 15 XL²



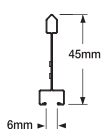
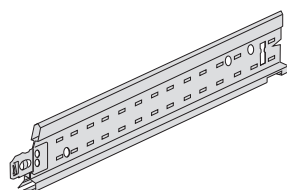
PEAKFORM SILHOUETTE 15 XL² Steel Exposed Slotted Grid is designed to create a crisp, clean look in conjunction with Tegular B15 tiles to provide an enhanced aesthetic.

Main Bar: SILHOUETTE 15 XL²



Item Number	Dimensions			Rout Centres mm	Content / Carton		Weight / Carton kg
	length (mm)	height (mm)	width (mm)		pcs	lm	
HBP 80 40 82	3600	45	15	600	20	72	24.50

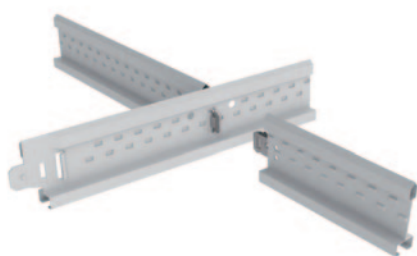
Cross Runners: SILHOUETTE 15 XL²



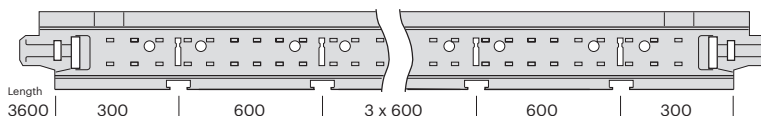
Item Number	Dimensions			Rout Centres mm	Content / Carton		Weight / Carton kg
	length (mm)	height (mm)	width (mm)		pcs	lm	
HBP 80 30 82	1200	45	15	600	60	72	24.50
HBP 80 20 82	600	45	15	-	60	36	12.70

* Black Pre-painted Capping

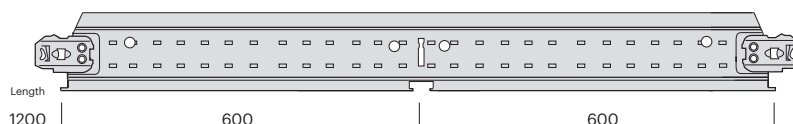
Section Drawings (Standard Items for 600x600 module configuration)



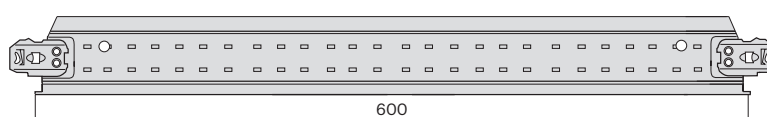
Main Bar SILHOUETTE 15



Cross Runner SILHOUETTE 15 XL²

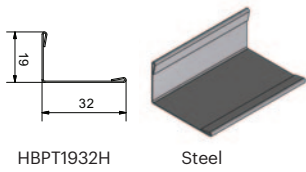


Cross Runner SILHOUETTE 15 XL²

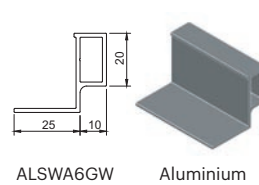
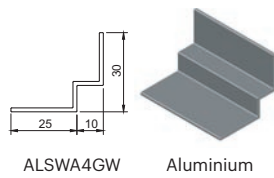
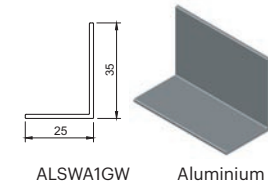
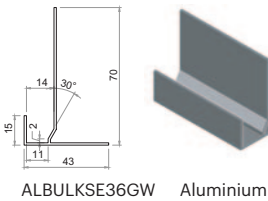


Perimeter Trims and Accessories

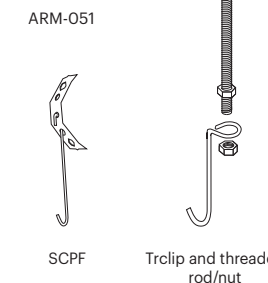
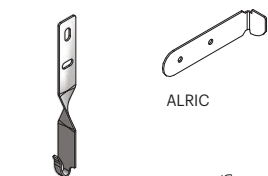
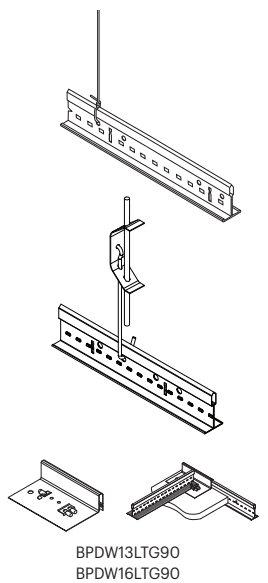
Perimeter Trims



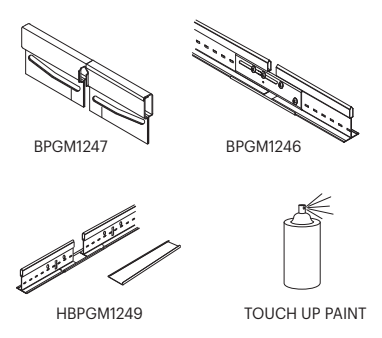
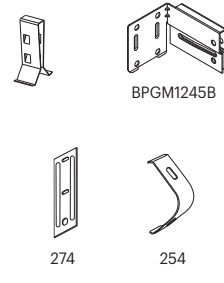
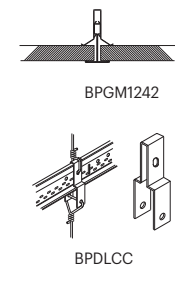
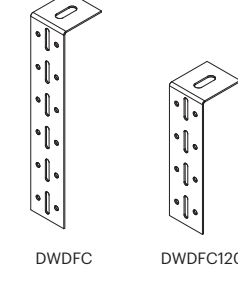
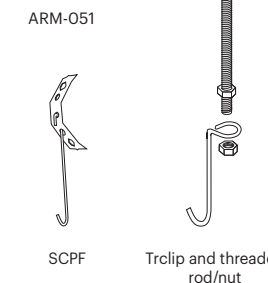
Item Number	Description	Length (mm)	Cont / Cart'n pcs	Wt / Cart'n kg
HBPT1932H	Steel Perimeter Trims: Roll Formed and Prepainted Long Leg Wall Angle	3600	30	21
7800PBL	Wall Angle (Black) 22x22mm	3600	30	20
ALBULKSE36GW	Aluminium Perimeter Trims: Extruded and Powdercoated Bulkhead Trim (suits both 10mm and 13mm Pb)	3600	6	6
ALSWA1GW	Heavy Duty Aluminium Wall Angle	3600	20	17
ALSWA4GW	Heavy Duty Aluminium Shadow Line Wall Angle	3600	20	23
ALSWA6GW	Seismic Aluminium Shadow Line Wall Angle	3600	20	27.5



Suspension & Accessories

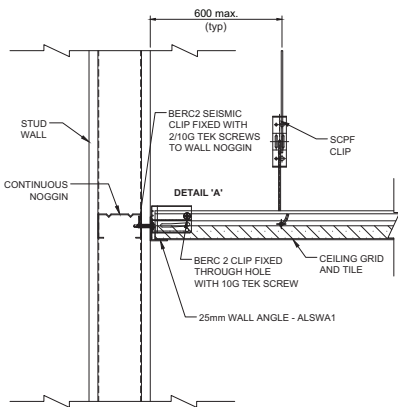


Item Number	Description	Length (mm)	Cont / Cart'n pcs	Wt / Cart'n kg
SCPF	Hook Suspension Clip for 5mm Rod	165	100	2.2
ARM-051	Direct Fix Clip	175	100	2.6
Trclip	Suspension Clip for 6mm Threaded Rod	80	100	2.0
M6 Rod	6mm Threaded Rod	1200	50	11.0
M6 Nuts	6mm nuts for Threaded Rod	-	200	0.4
BPDLCC	Direct Load Ceiling Clip	80	250	5.5
BPGM1242	Universal Hold Down Clip	-	1000	4.0
ALRIC	Roll In Clip	65	100	5.0
ROD 5mm	5mm Suspension Rod	4000	40	24.2
SR2536	2.5mm Suspension Wire	3600	160	25.0
274	Suspension Rod Bracket	80	100	2.1
254	5mm ROD joiner spring adjustable	-	100	0.9
HBPGM1249	Expansion Sleeve to suite 24mm grid	100	100	5.0
BPDW13LTG90	Drywall Transition Clip suits 13mm Plasterboard	-	200	11.0
BPDW16LTG90	Drywall Transition Clip suits 16mm Plasterboard	-	200	11.0
BPGM1245B	BERC2 Clip (Seismic)	-	100	4.4
GPGW	Global White Grid Touch Up Paint (128g net)	-	6	1.3
DWDFC120	120mm L Shape	120	100	5.0
DWDFC	180mm L Shape	180	100	6.5
BPGM1247	Cross Tee Seismic Joint Clip	127	100	3.1
BPGM1246	Main Runner Seismic Joint Clip	102	100	1.6

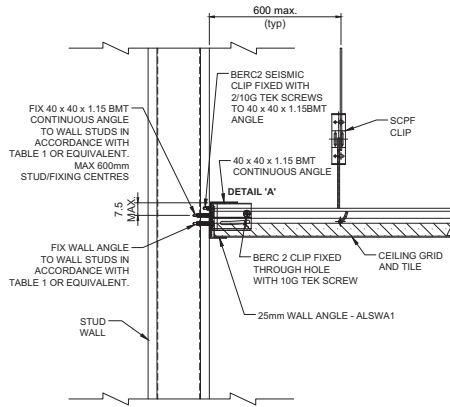


Perimeter Solutions

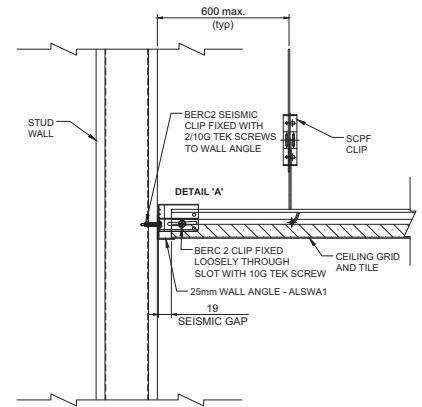
Perimeter Detailing Recommendations



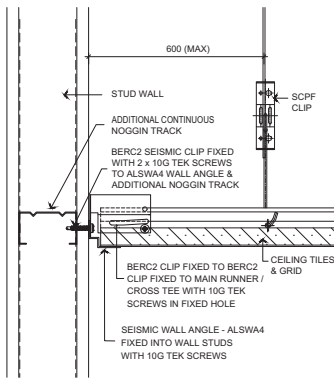
ALSWA1 Wall Angle
Fixed with nogging



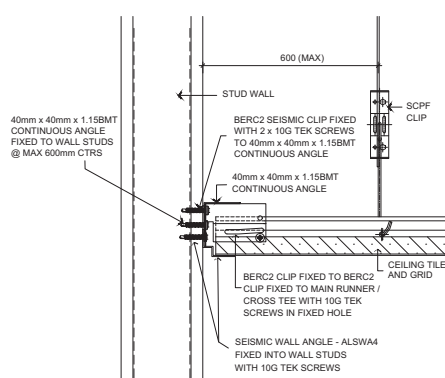
ALSWA1 Wall Angle
Fixed without nogging



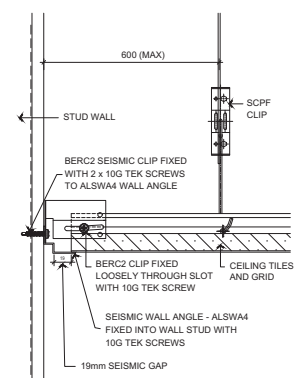
ALSWA1 Wall Angle
Floating / Free



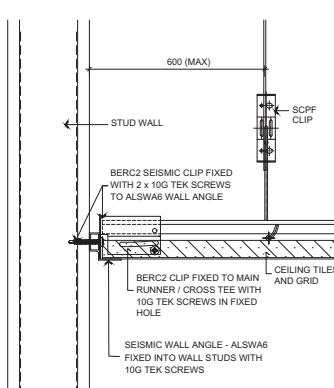
ALSWA4 Wall Angle
Fixed with nogging



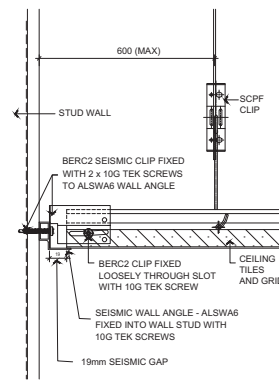
ALSWA4 Wall Angle
Fixed without nogging



ALSWA4 Wall Angle
Floating / Free



ALSWA6 Wall Angle
Fixed



ALSWA6 Wall Angle
Floating / Free

For information on Blue Tongue Aluminium Grid and Axiom Perimeter / Pelmet systems, refer to the following brochures.

Blue Tongue[™]
Aluminium Grid

AXIOM Perimeter
Solutions
The difference is in the detail

Specifications

Scope

The contractor to furnish all materials, labour and equipment for the erection of the exposed ceiling system where so indicated on the architectural drawings.

Material

Ceiling suspension shall be Armstrong PeakForm two way exposed, hot dipped galvanised steel system; (either): Prelude XL² 24mm Tee, SupraFine XL² 15mm Tee, or Silhouette XL² 15mm Steel Exposed Slotted

“shadowline hat” profiles. All materials supplied by Armstrong meet the requirements of Australian Standard AS/NZS 2785:2020 “Suspended Ceilings Design and Installation”.

Perimeter Detail

Wall Angles should be fixed to wall at 450mm centres. Exposed ceiling grid members intersecting with the Wall Angle or Shadowline Wall Angle, may be connected using a BERC2 seismic perimeter clip and fastened as per seismic recommendations.

Installation

The Main Bar shall be hung with a 5mm galvanised rod and clip system or 2.5mm wire, accurately levelled. Suspension points shall be spaced at 1200mm* centres along the Main Bar. Cross Runners shall intersect and be positively locked to Main Bars. Panel Hold Down Clips to be used as required. Hangers, Main Bars and Cross Runner shall be spaced so as not to exceed the design ceiling load or as may otherwise be required to prevent deflection in excess of 1/360

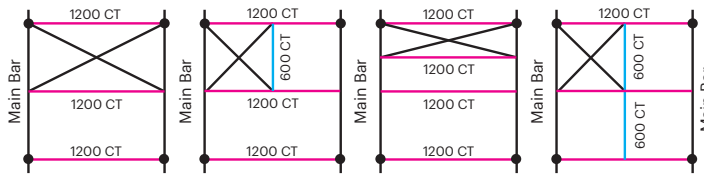
of the span of the spacers or Main Bars. Where light fittings, air conditioning fixtures etc are to be supported by the grid system, extra hangers may be required. Down bracing to be incorporated in ceiling systems when used externally or adjacent to opening prone to sudden uplift caused by external wind forces.

* For suspension points greater than 1200mm centres along the Main Bar, contact your local Armstrong representative for load ratings.

Suspension & Accessories

Main Bar to Main Bar (Fixture / Panel Orientation)

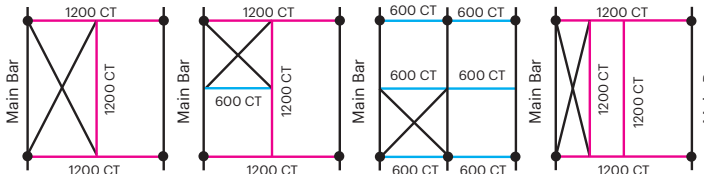
Main Bar
Cross Runner x 600
Cross Runner x 1200



	1200 x 600	600 x 600	1200 x 300	600 x 600
1. FIXTURE* (mm)	1200 x 600	1200 x 1200	1200 x 600	1200 x 600
2. PLANNING MODULE (mm)	1200 x 1200	1200 x 1200	1200 x 600	1200 x 600
3. HANGER SPACING (mm)	1200	1200	1200	1200
Max Fixture Weight (kgs)				
4. PRELUDE 24	21.2 kg	14.0 kg	17.4 kg	14.0 kg
5. SUPRAFINE 15	27.9 kg	13.9 kg	24.9 kg	13.9 kg
6. SILHOUETTE 15	-	-	-	14.2 kg

Cross Runner to Cross Runner (Fixture / Panel Orientation)

Main Bar
Cross Runner x 600
Cross Runner x 1200



	1200 x 600	600 x 600	600 x 600	1200 x 300
1. FIXTURE* (mm)	1200 x 600	1200 x 1200	600 x 600	1200 x 1200
2. PLANNING MODULE (mm)	1200 x 1200	1200 x 1200	600 x 600	1200 x 1200
3. HANGER SPACING (mm)	1200	1200	1200	1200
Max Fixture Weight (kgs)				
4. PRELUDE 24	10.6 kg	10.6 kg	37.5 kg	17.4 kg
5. SUPRAFINE 15	-	-	37.3 kg	-
6. SILHOUETTE 15	-	-	37.9 kg	-

Connection Strength (SEISMIC)

Prelude XL 24mm Main Beam and Cross Runners: Compression / Tension capacity > 100kgs.

Suprafine XL 15mm Main Beam and Cross Runners: Compression capacity: 60kgs / Tension capacity > 100kgs.

Loading Parameters

- Main Bars at 1200mm centres
- Cross Runners 1200mm at 600mm spacing
- Suspension points spaced at 1200mm on Main Bar

***Note:** Additional independent support of heavy fixtures should be considered for safety purposes.

The above data is based on 1200mm hanger spacing, board weight of 4.8kg/m², maximum deflection of tees not to exceed 1/360 of the span and suspension system installed in accordance with AS/NZS 2785:2020.

Contact us

NSW/ACT

Armstrong Ceiling Solutions (Australia) Pty. Ltd.
75 Long Street, Smithfield, NSW, 2164
Telephone (02) 9748 1588

VIC/TAS

Armstrong Ceiling Solutions (Australia) Pty. Ltd.
Unit 1, 88 Henderson Road, Rowville VIC 3178
Telephone (03) 8706 4000

QLD / NT

Armstrong Ceiling Solutions (Australia) Pty. Ltd.
6 Barrinia Street, Slacks Creek QLD 4127
Telephone (07) 3809 5565

SA

Total Building Systems Pty. Ltd.
160 Grand Junction Road, Blair Athol SA 5084
Telephone (08) 7325 7555

WA

Ceiling Manufacturers of Australia Pty. Ltd.
3 Irvine Street, Bayswater WA 6053
Telephone (08) 9271 0777

New Zealand

Comfortech Building Performance Solutions®
27B Smales Road, East Tamaki, Auckland 2013
Telephone 64-9-276 4000

Armstrong
CEILING SOLUTIONS